

Clicklad Trellis System

Specifications:

Material Thickness : 0.059"

Material : Aluminum 6063 - T5/T6

Standard lengths : 19'

Finish : Woodgrain, Solid, and Metallic
Standard and custom colors available

Uses : Facades, Ceilings, Sunshades,
Pergolas, Interior walls

Available Beam Sizes : 2"x2", 2"x3", 2"x4", 2"x5", 2"x6", 2"x8"

Testing :

ASTM E84 tested

ASTM E136 tested

ASTM E300 tested

ICC ESR - 5054

QAI CER us - 1051

CalFire Listing Number:
8175-2405:0001



C-030+C-018



C-038+C-018



C-032+C-018



C-032+C-02



C-32+C-030



C-032+C-032



Str. Pechea 32-36,
Bucuresti, 013982

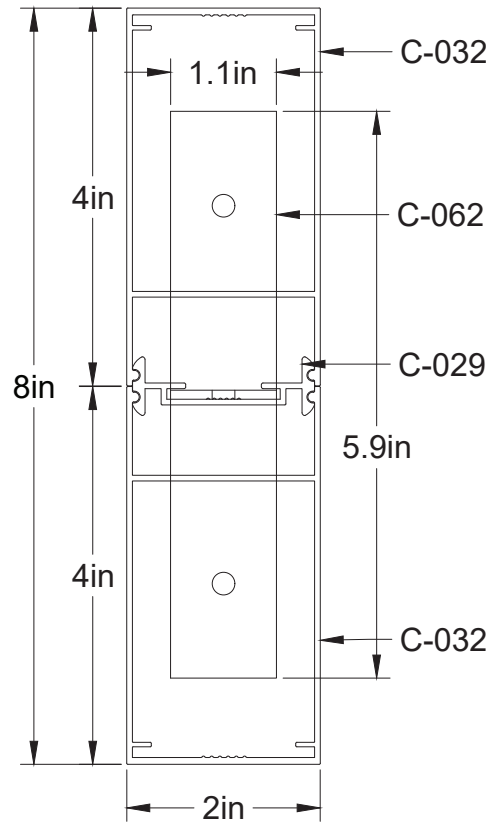


+40 771 690 267



office@clicklad.ro

C-032+C-032



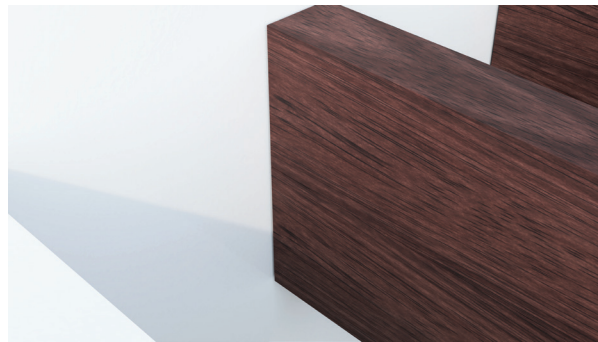
Step1: Install bracket C-062



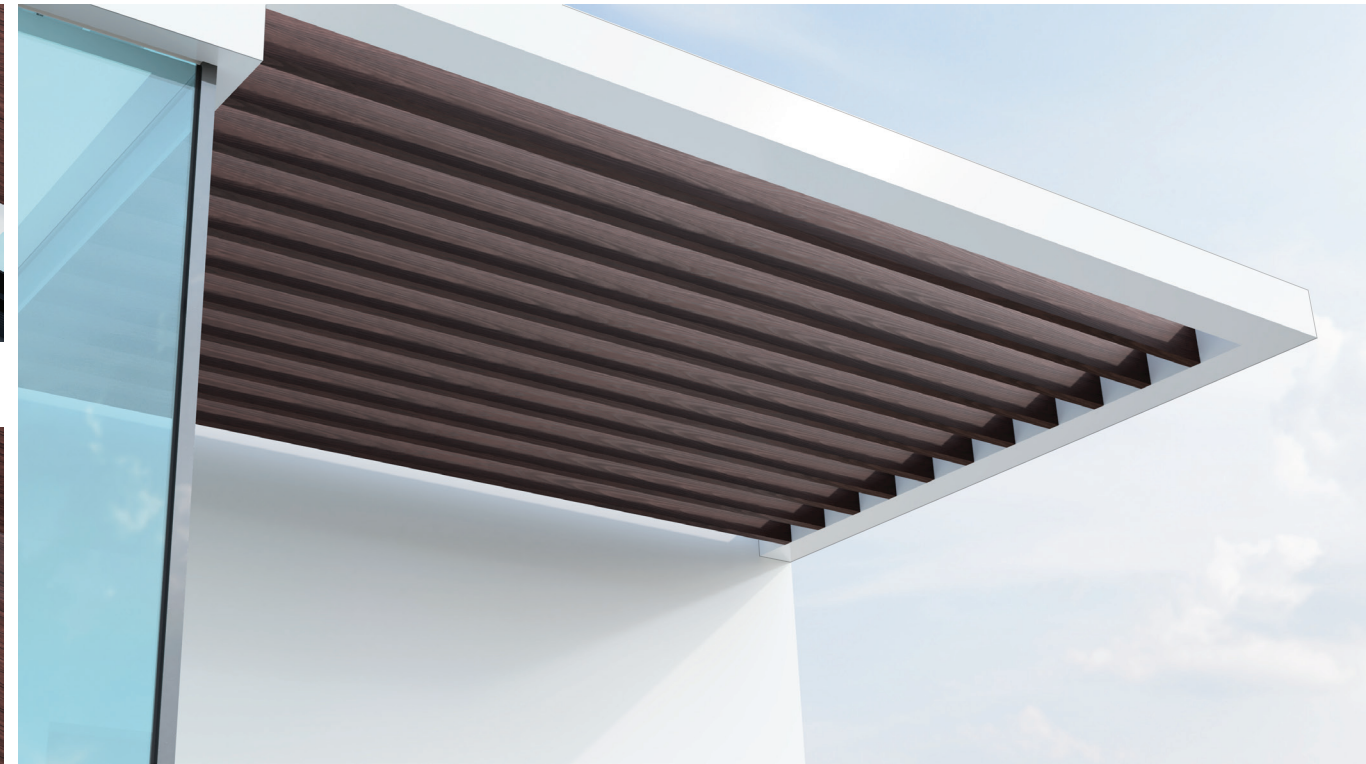
Step2: Install rail C-029



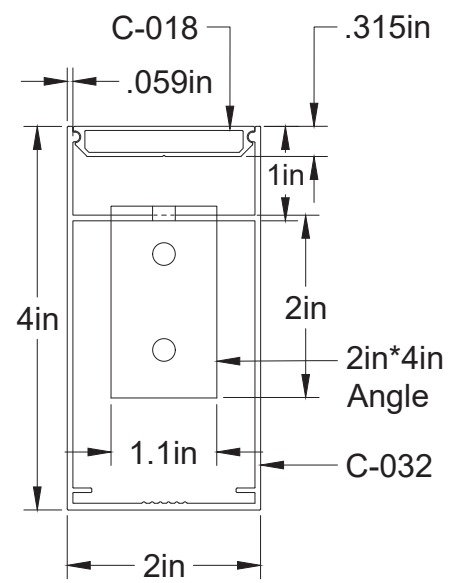
Step3: Install beam -1 C-032



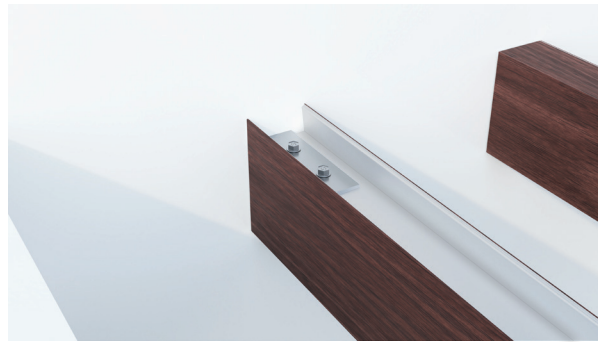
Step4: Install beam-2 C-032



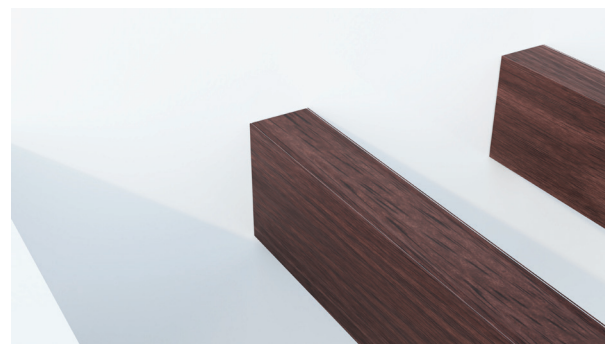
C-032+C-018



Step1: Install 2"x4" angel



Step2: Install beam C-032



Step3: Install back cover C-018

